

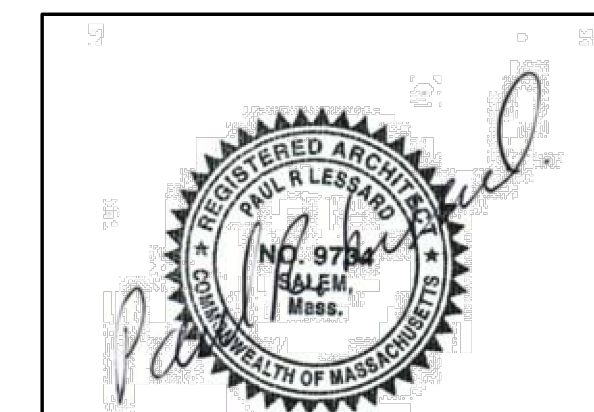
153 GREEN STREET

WORCESTER, MASSACHUSETTS



DRAWING LIST

- A0 TITLE SHEET
- A1 EXISTING 1st FLOOR PLAN
- A2 EXISTING 2nd FLOOR PLAN
- A3 PROPOSED 1st FLOOR PLAN & MEZZANINE
- A4 PROPOSED 2nd FLOOR PLAN
- A5 PROPOSED 3rd FLOOR PLAN
- A6 PROPOSED ROOF PLAN
- A7 EXISTING EAST & SOUTH ELEVATIONS
- A8 EXISTING WEST & NORTH ELEVATIONS
- A9 PROPOSED EAST & SOUTH ELEVATIONS
- A10 PROPOSED WEST & NORTH ELEVATIONS
- A11 DOOR & HARDWARE & WALLTYPE SCHEDULES



PAUL R. LESSARD
 • REGISTERED ARCHITECT •
 13 STATION ROAD SALEM, MA 01970
 (978) 210-1960 paul@paularchitect.com

TALK BUILDING
 153 GREEN STREET
 WORCESTER, MASSACHUSETTS

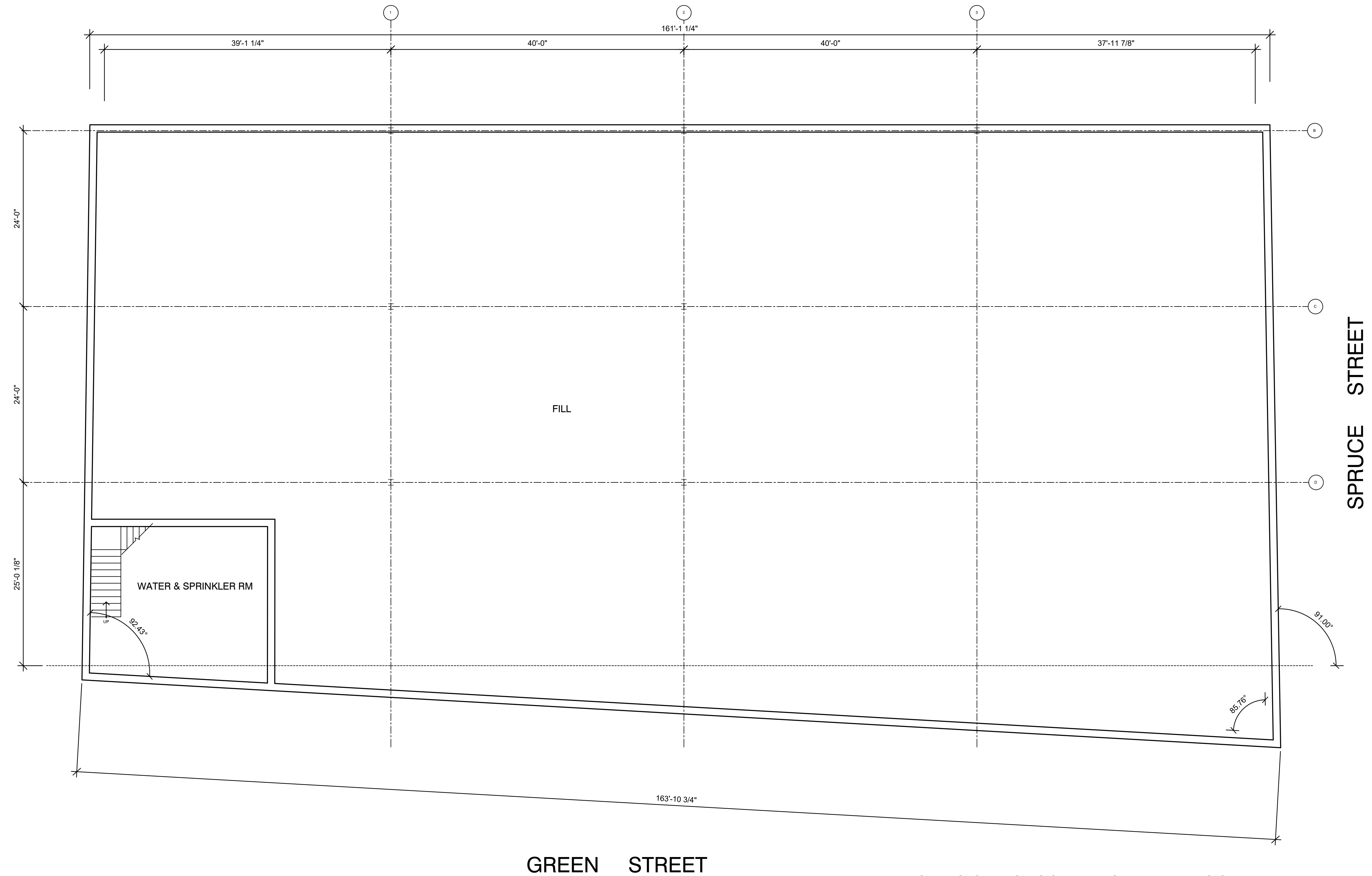
TITLE SHEET

REVISIONS:

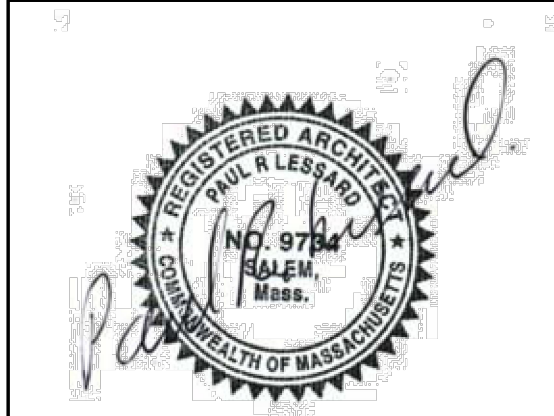
PROJECT NUMBER:
 DATE: 3/28/24
 SCALE: AS NOTED
 DRAWN: PRL
 CHECK:

DRAWING NUMBER:

00



1
A0
EXISTING & PROPOSED BASEMENT FLOOR PLAN
1/8" = 1'-0"



PAUL R. LESSARD
 • REGISTERED ARCHITECT •
 13 STATION ROAD SALEM, MA 01970
 (978) 210-1960 paul@paularchitect.com

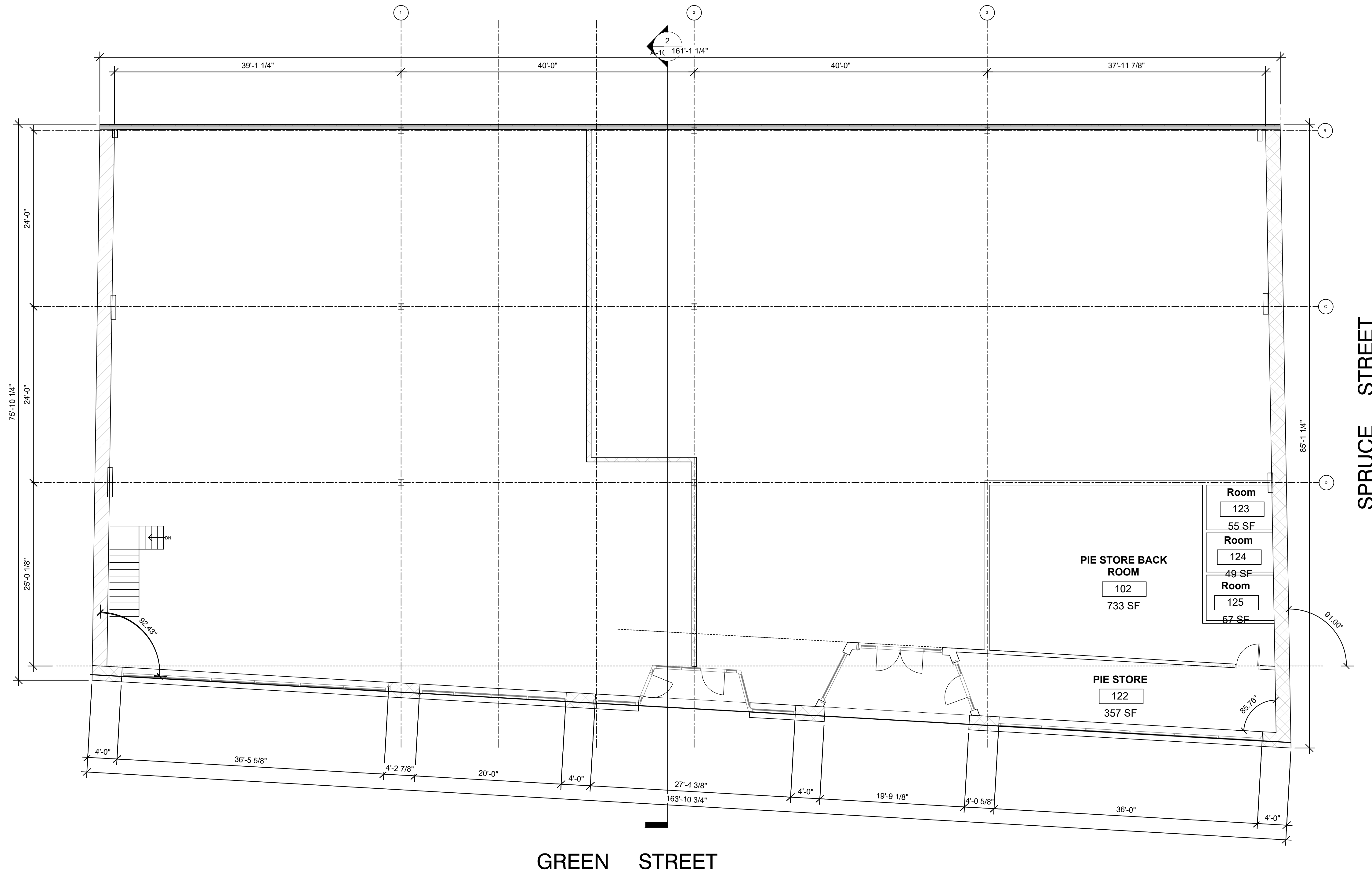
TABLE TALK BUILDING
 153 GREEN STREET
 WORCESTER, MASSACHUSETTS
 EXISTING & PROPOSED BASEMENT FLOOR PLAN

REVISIONS:

| |
|--|
| |
| |
| |
| |
| |
| |
| |
| |

PROJECT NUMBER:
 DATE: 3/28/24
 SCALE: AS NOTED
 DRAWN: PRL
 CHECK:

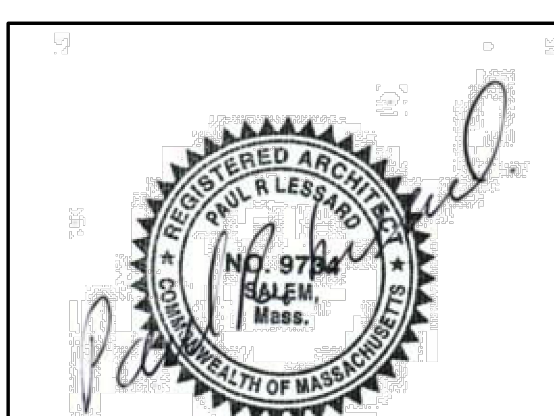
DRAWING NUMBER:
A0



GREEN STREET

SPRUCE STREET

1
A1 EXISTING 1st FLOOR PLAN
1/8" = 1'-0"



PAUL R. LESSARD
 • REGISTERED ARCHITECT •
 13 STATION ROAD SALEM, MA 01970
 (978) 210-1960 paul@paularchitect.com

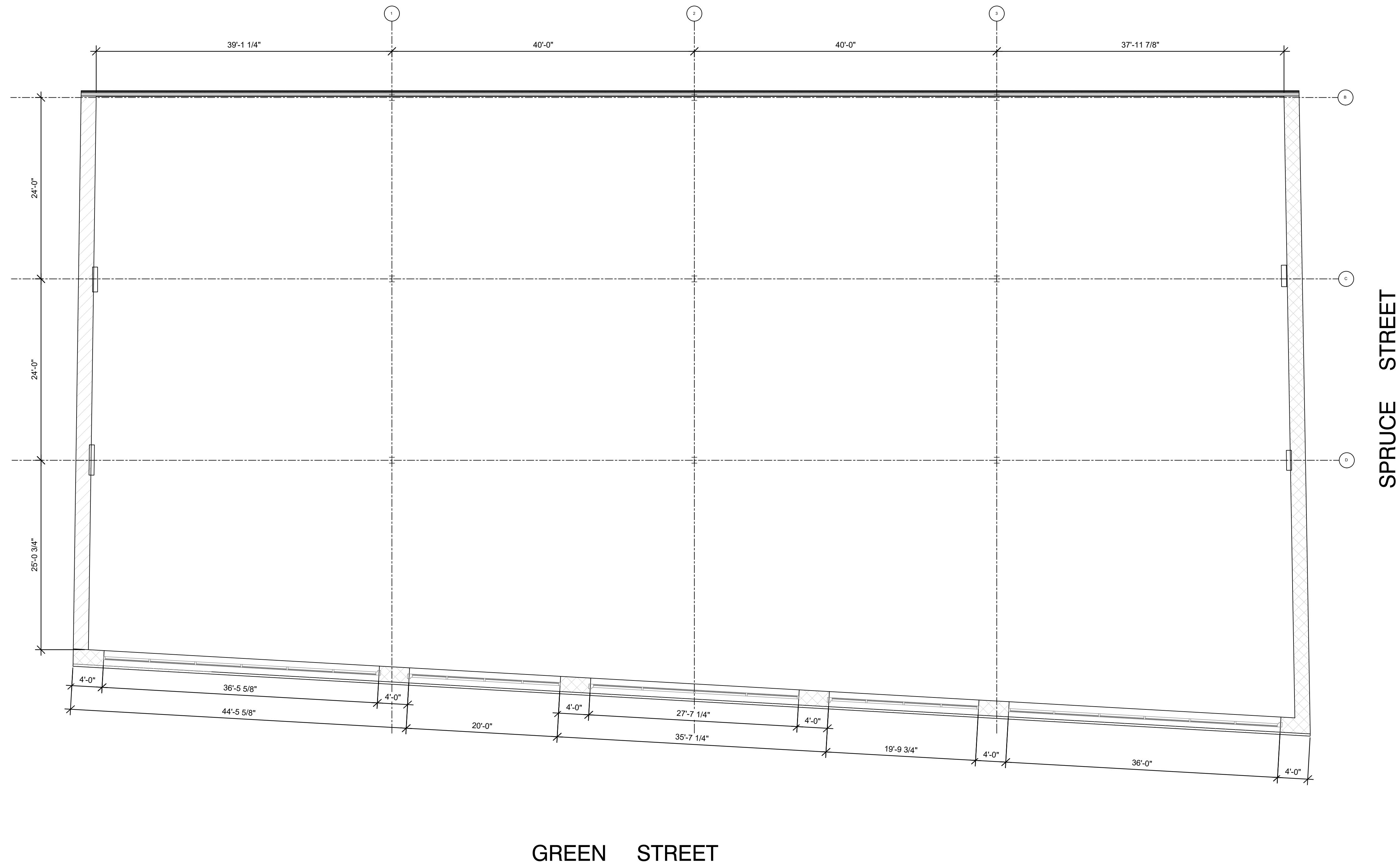
TABLE TALK BUILDING
 153 GREEN STREET
 WORCESTER, MASSACHUSETTS
 EXISTING 1st FLOOR PLAN

REVISIONS:

| | |
|--|--|
| | |
| | |
| | |
| | |
| | |
| | |

PROJECT NUMBER:
 DATE: 3/28/24
 SCALE: AS NOTED
 DRAWN: PRL
 CHECK:

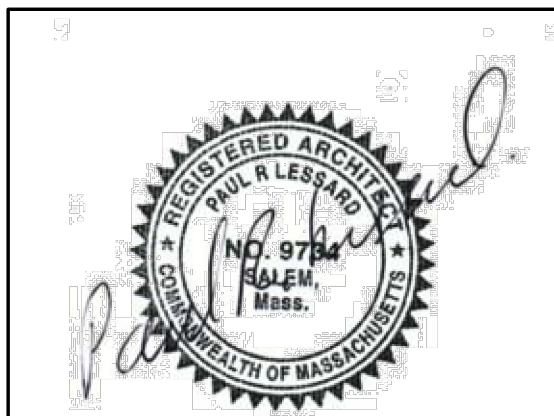
DRAWING NUMBER:
A1



GREEN STREET

SPRUCE STREET

1
A2
EXISTING 2nd FLOOR PLAN
1/8" = 1'-0"



PAUL R. LESSARD
 • REGISTERED ARCHITECT •
 13 STATION ROAD SALEM, MA 01970
 (978) 210-1960 paul@paularchitect.com

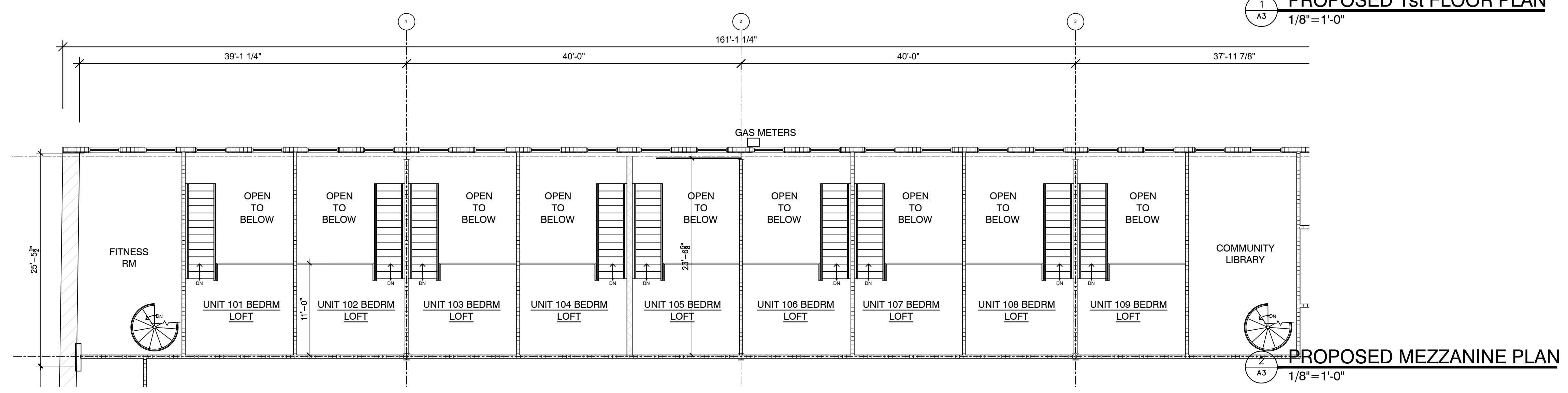
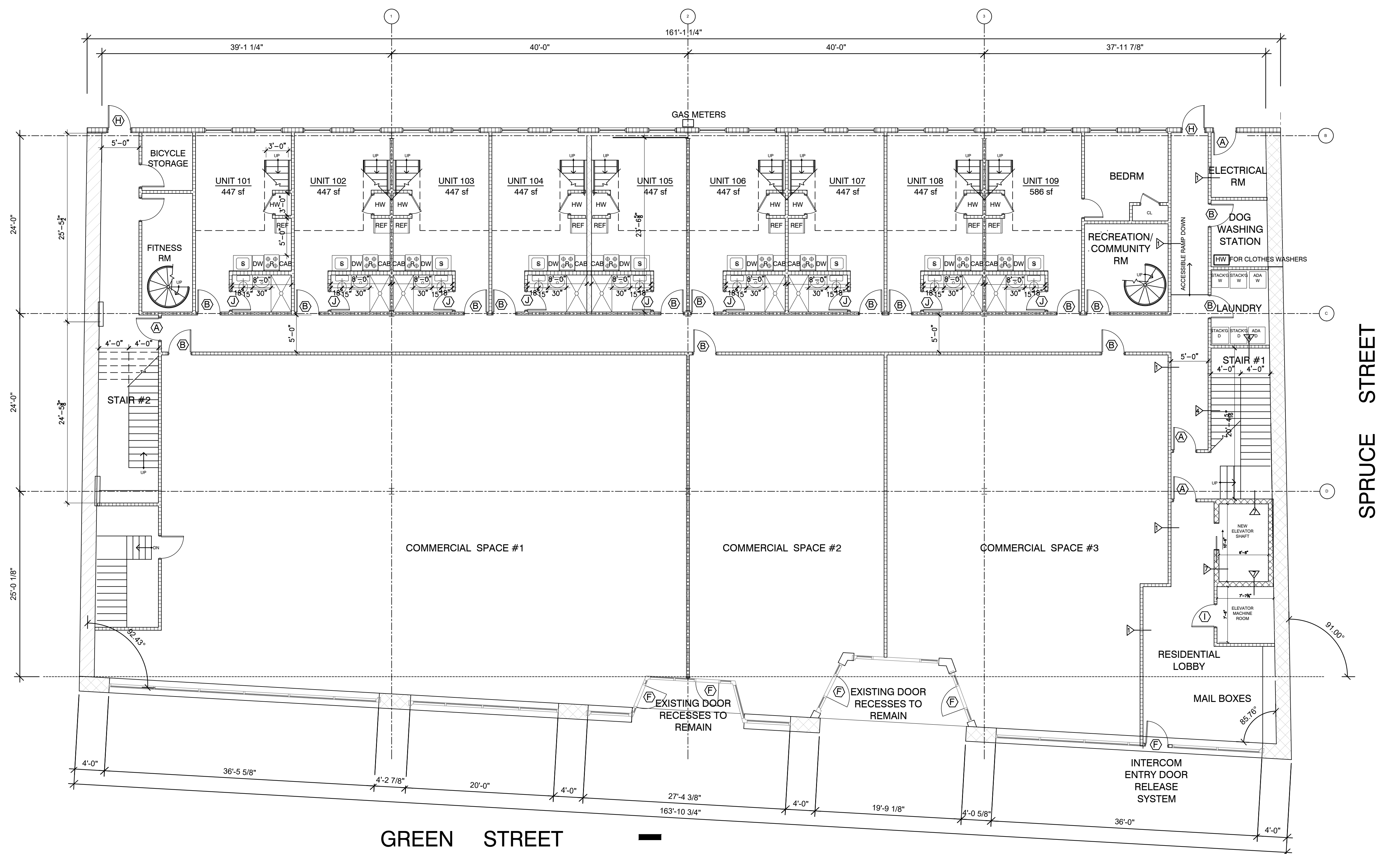
TABLE TALK BUILDING
 153 GREEN STREET
 WORCESTER, MASSACHUSETTS
 EXISTING 2nd FLOOR PLAN

REVISIONS:

| |
|--|
| |
| |
| |
| |
| |
| |

PROJECT NUMBER:
 DATE: 3/28/24
 SCALE: AS NOTED
 DRAWN: PRL
 CHECK:

DRAWING NUMBER:
A2



PAUL R. LESSARD
• REGISTERED ARCHITECT •
13 STATION ROAD SALEM, MA 01970
paul@paularchitect.com
(978) 210-1960

TABLE TALK BUILDING
153 GREEN STREET
WORCESTER, MASSACHUSETTS
PROPOSED 1st FLOOR & MEZZANINE PLANS

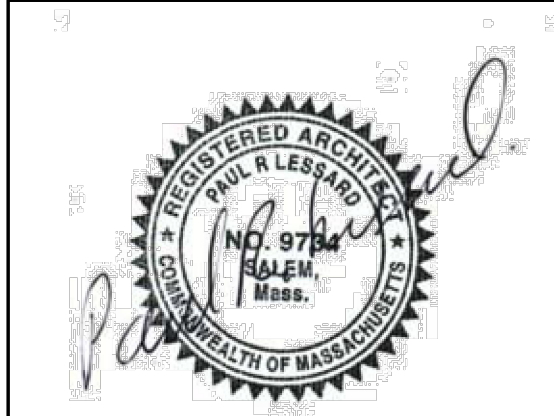
REVISIONS:

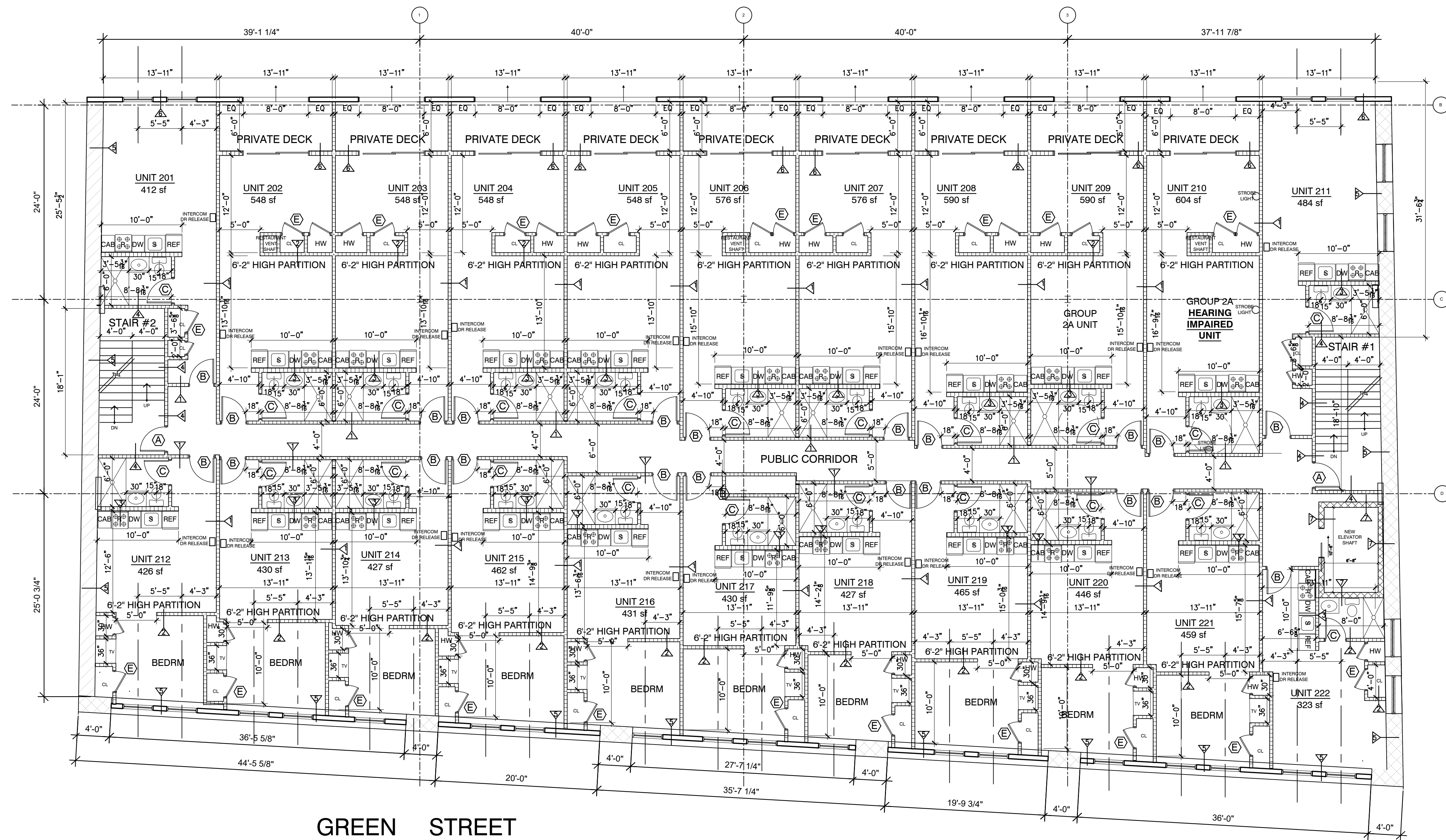
| | |
|--|--|
| | |
| | |
| | |
| | |
| | |
| | |

PROJECT NUMBER:
DATE: 3/28/24
SCALE: AS NOTED
DRAWN: PRL
CHECK:

DRAWING NUMBER:

A3





SPRUCE STREET

GREEN STREET

1 PROPOSED 2nd FLOOR PLAN
A4 1/8"=1'-0"

PAUL R. LESSARD
 • REGISTERED ARCHITECT •
 13 STATION ROAD SALEM, MA 01970
 (978) 210-1960 paul@paularchitect.com

TABLE TALK BUILDING
 153 GREEN STREET
 WORCESTER, MASSACHUSETTS
 PROPOSED 2nd FLOOR PLAN

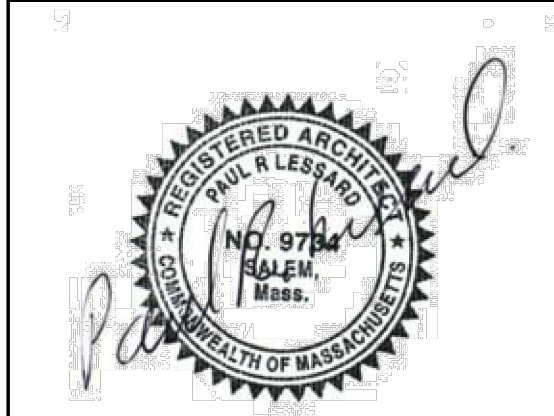
REVISIONS:

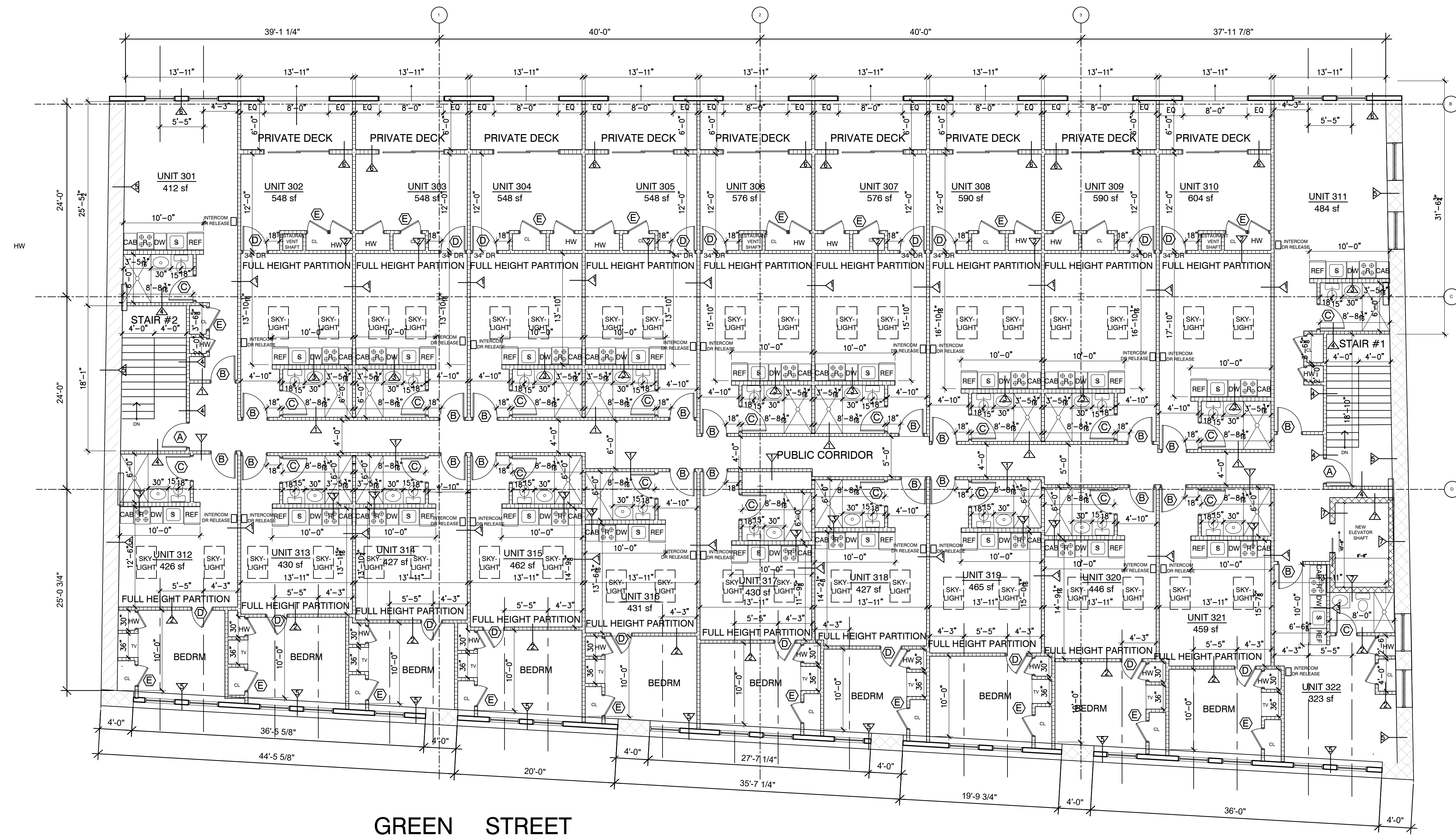
| | |
|--|--|
| | |
| | |
| | |
| | |
| | |

PROJECT NUMBER:
 DATE: 3/28/24
 SCALE: AS NOTED
 DRAWN: PRL
 CHECK:

DRAWING NUMBER:

A4





SPRUCE STREET

GREEN STREET

1
A5
PROPOSED 3rd FLOOR PLAN
1/8"=1'-0"

PAUL R. LESSARD
 • REGISTERED ARCHITECT •
 13 STATION ROAD SALEM, MA 01970
 (978) 210-1960 paul@paularchitect.com

TABLE TALK BUILDING
 153 GREEN STREET
 WORCESTER, MASSACHUSETTS
 PROPOSED 3rd FLOOR PLAN

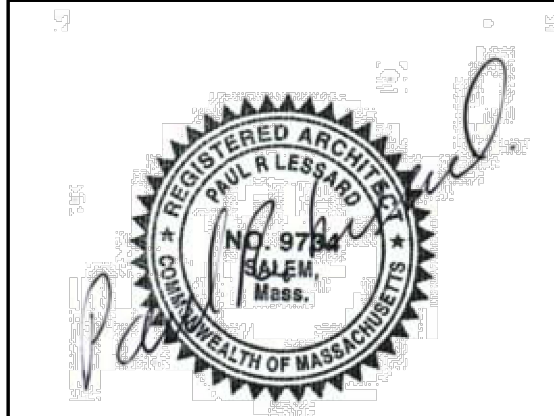
REVISIONS:

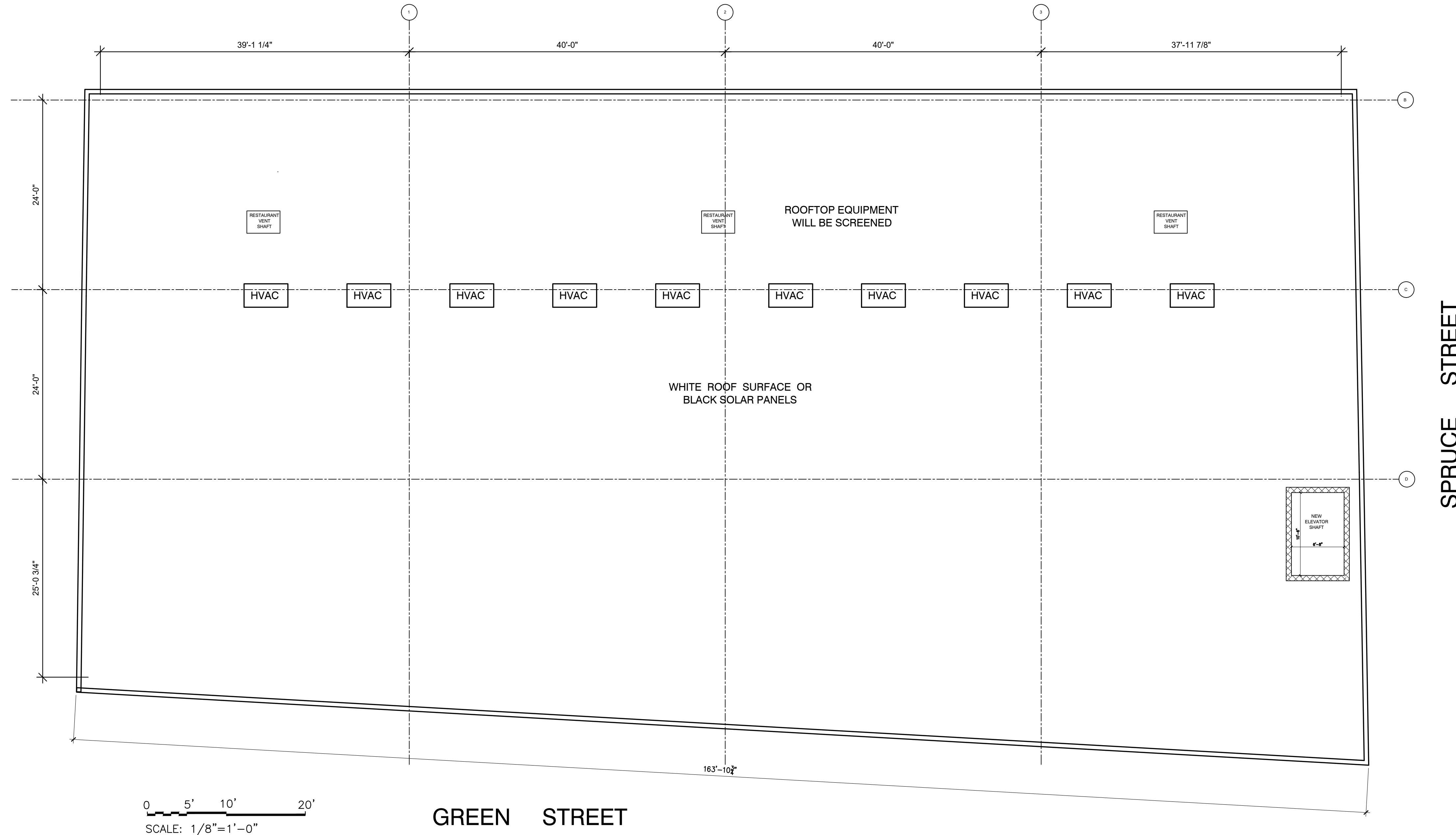
| | |
|--|--|
| | |
| | |
| | |
| | |
| | |

PROJECT NUMBER:
 DATE: 3/28/24
 SCALE: AS NOTED
 DRAWN: PRL
 CHECK:

DRAWING NUMBER:

A5



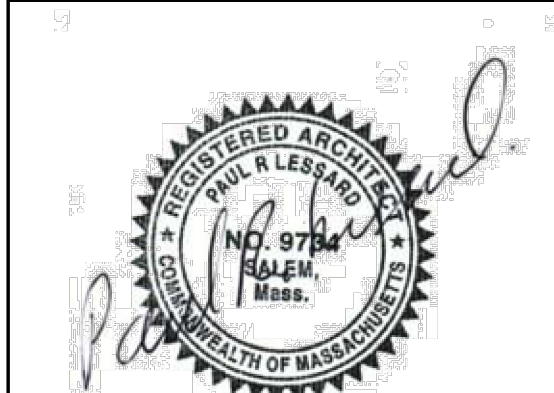


0 5' 10' 20'
SCALE: 1/8"=1'-0"

GREEN STREET

SPRUCE STREET

1
A6 PROPOSED ROOF PLAN
1/8"=1'-0"



PAUL R. LESSARD
• REGISTERED ARCHITECT •
13 STATION ROAD SALEM, MA 01970
(978) 210-1960 paul@paularchitect.com

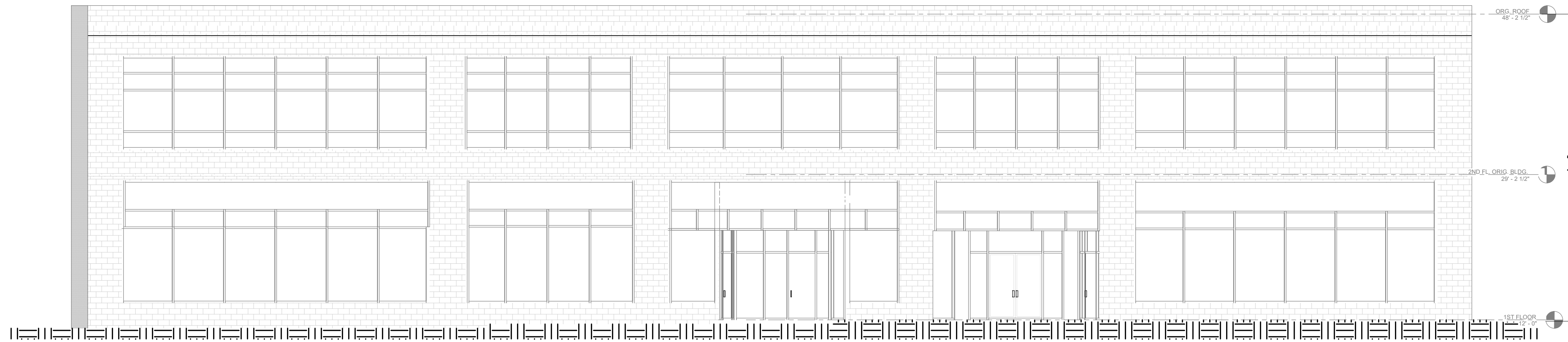
TABLE TALK BUILDING
153 GREEN STREET
WORCESTER, MASSACHUSETTS
PROPOSED ROOF PLAN

REVISIONS:

| | |
|--|--|
| | |
| | |
| | |
| | |
| | |

PROJECT NUMBER:
DATE: 3/28/24
SCALE: AS NOTED
DRAWN: PRL
CHECK:

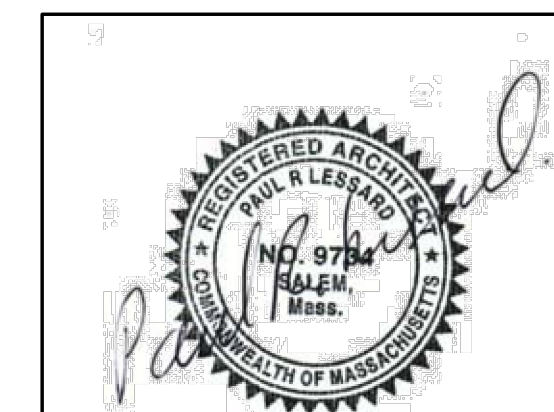
DRAWING NUMBER:
A6



1
A7 **EXISTING EAST ELEVATION**
1/8" = 1'-0"



2
A7 **EXISTING SOUTH ELEVATION**
1/8" = 1'-0"



PAUL R. LESSARD
• REGISTERED ARCHITECT •
13 STATION ROAD SALEM, MA 01970
(978) 210-1960 paul@paularchitect.com

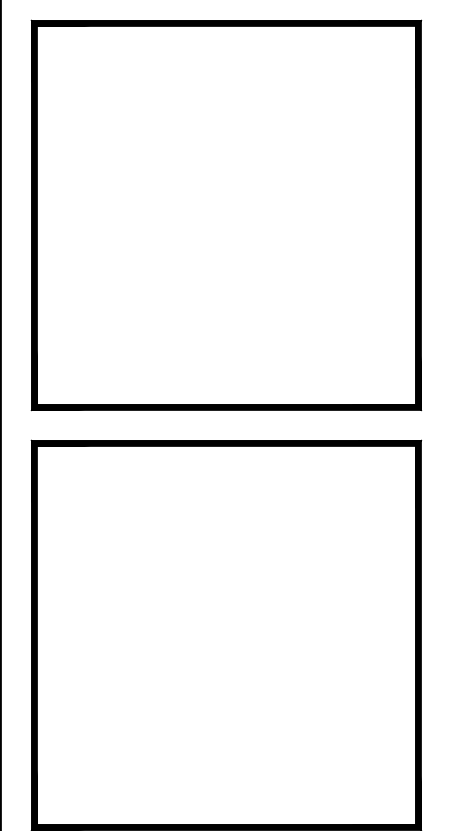


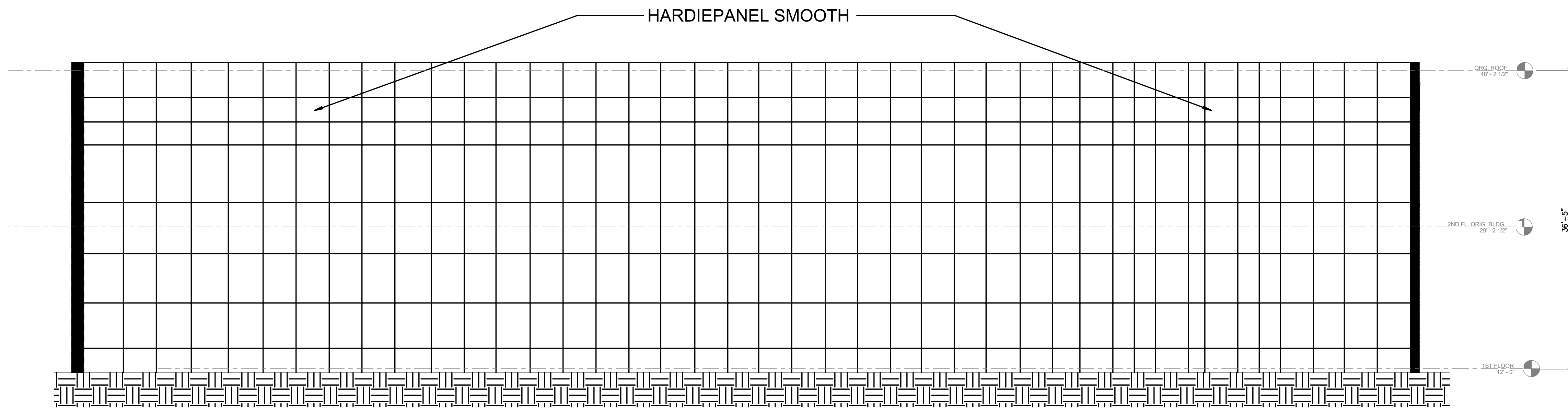
TABLE TALK BUILDING
153 GREEN STREET
WORCESTER, MASSACHUSETTS
EXISTING EAST & SOUTH EXTERIOR ELEVATIONS

REVISIONS:

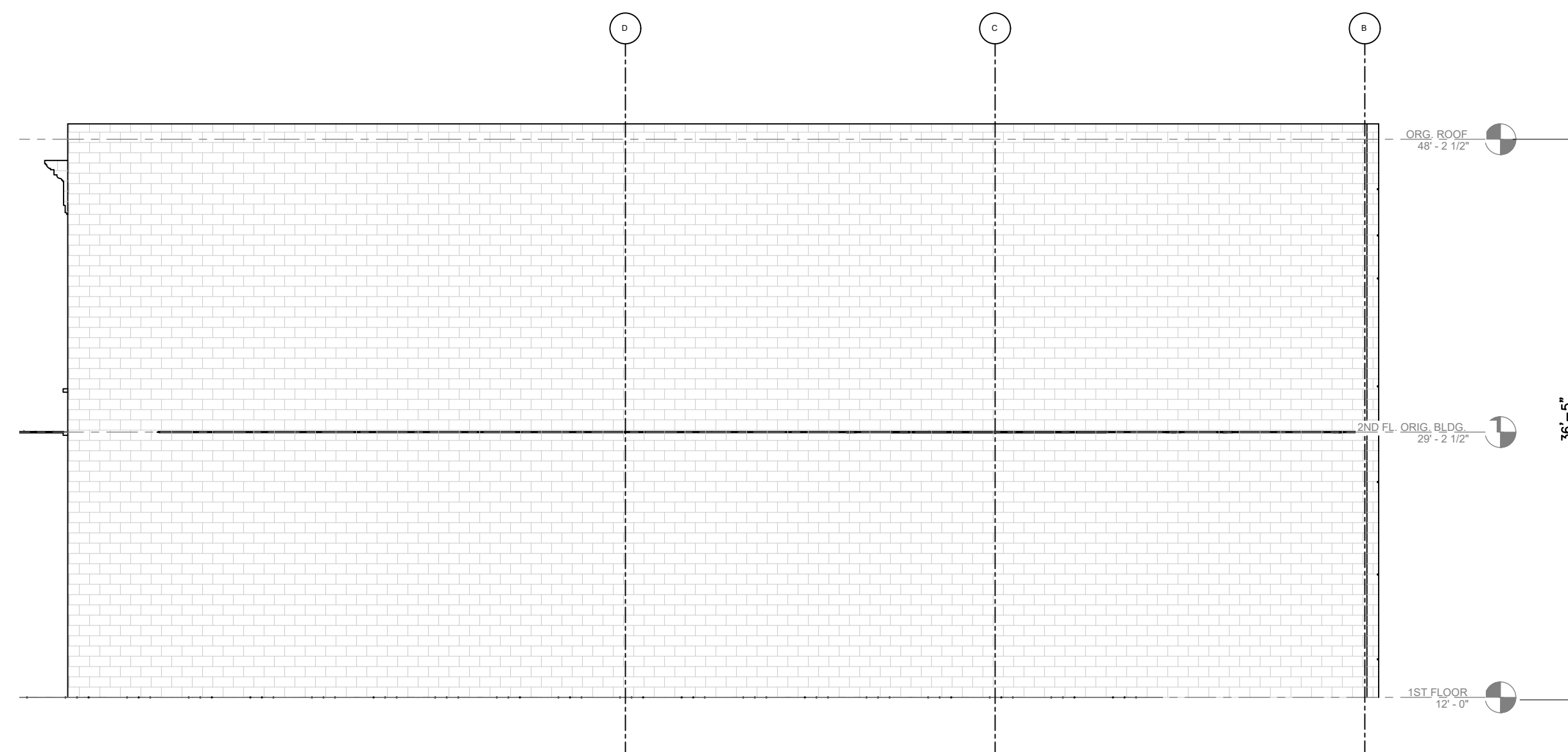
| |
|--|
| |
| |
| |
| |
| |

PROJECT NUMBER:
DATE: 3/28/24
SCALE: AS NOTED
DRAWN: PRL
CHECK:

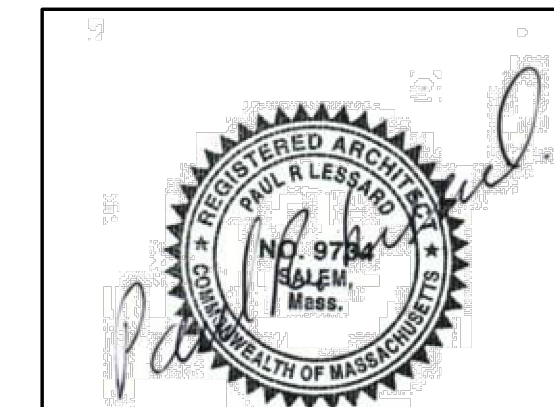
DRAWING NUMBER:
A7



1
A8 **EXISTING WEST ELEVATION**
1/8" = 1'-0"



2
A8 **EXISTING NORTH ELEVATION**
1/8" = 1'-0"



PAUL R. LESSARD
• REGISTERED ARCHITECT •
13 STATION ROAD SALEM, MA 01970
(978) 210-1960 paul@paularchitect.com

TABLE TALK BUILDING
153 GREEN STREET
WORCESTER, MASSACHUSETTS
EXISTING WEST & NORTH EXTERIOR ELEVATIONS

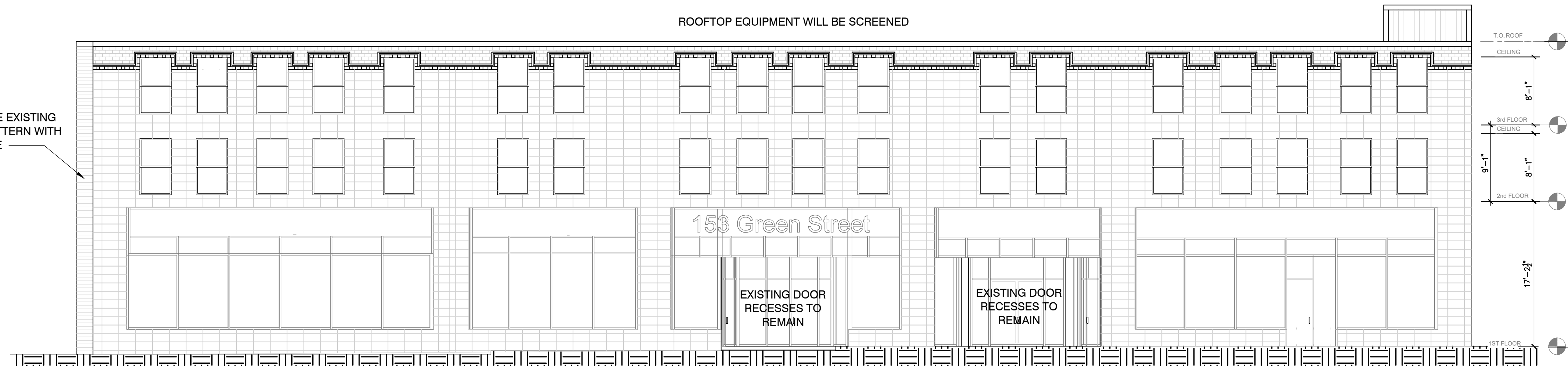
REVISIONS:

| |
|--|
| |
| |
| |
| |
| |
| |

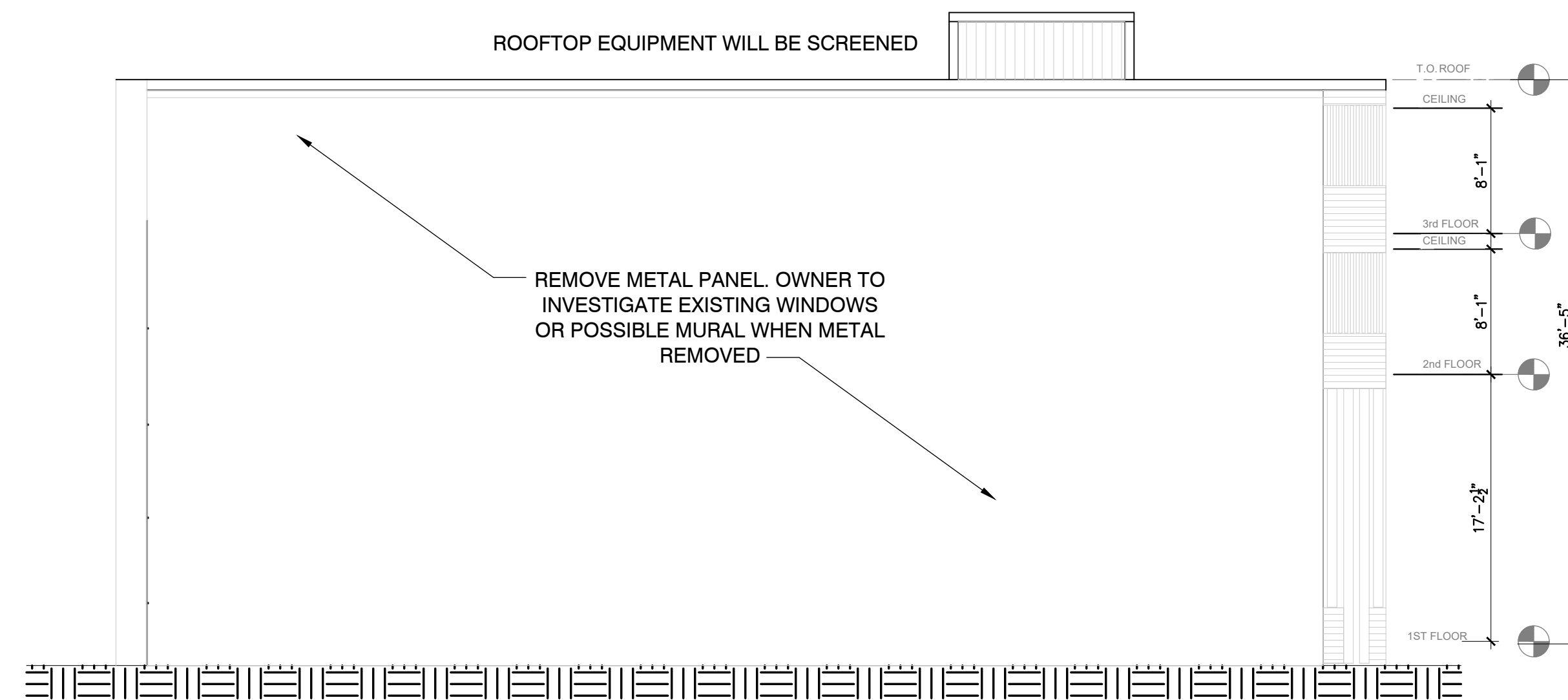
PROJECT NUMBER:
DATE: 3/28/24
SCALE: AS NOTED
DRAWN: PRL
CHECK:

DRAWING NUMBER:
A8

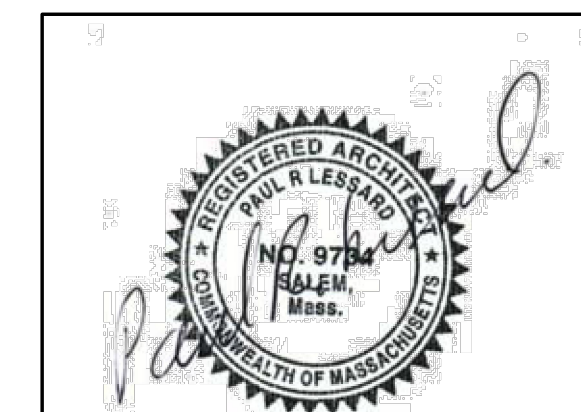
PRESERVE & REPLICATE EXISTING TERRA COTTA GRID PATTERN WITH STUCCO OR CONCRETE



1 PROPOSED EAST ELEVATION
1/8" = 1'-0"



2 PROPOSED SOUTH ELEVATION
1/8" = 1'-0"



PAUL R. LESSARD
• REGISTERED ARCHITECT •
13 STATION ROAD SALEM, MA 01970
(978) 210-1960 paul@paularchitect.com

TABLE TALK BUILDING
153 GREEN STREET
WORCESTER, MASSACHUSETTS

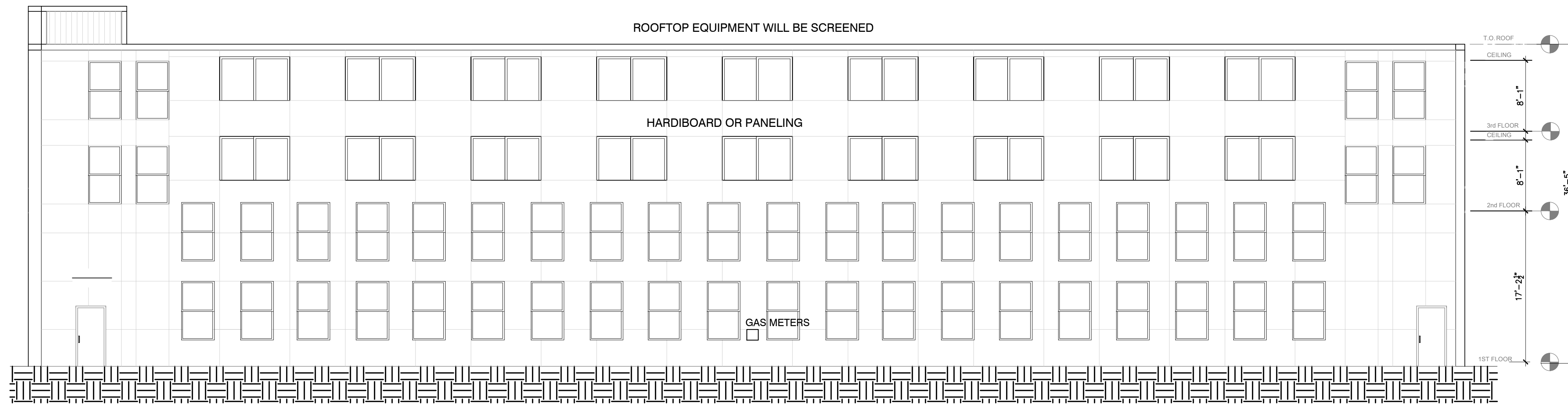
PROPOSED EAST & SOUTH EXTERIOR ELEVATIONS

REVISIONS:

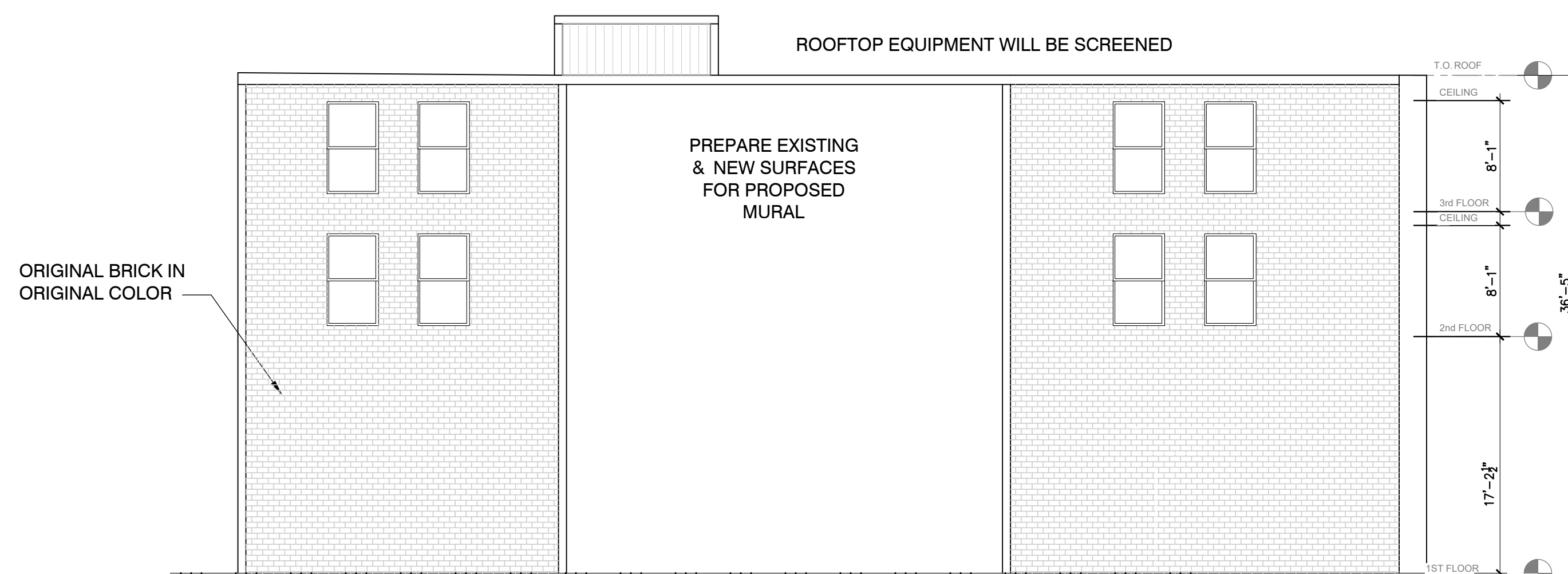
PROJECT NUMBER:
DATE: 3/28/24
SCALE: AS NOTED
DRAWN: PRL
CHECK:

DRAWING NUMBER:

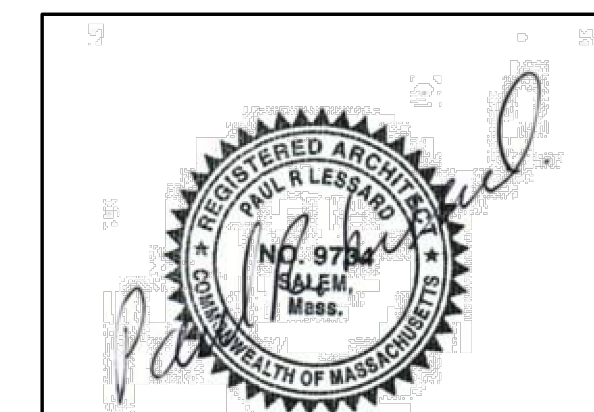
A9



1
A10 **PROPOSED WEST ELEVATION**
1/8" = 1'-0"



2
A10 **PROPOSED NORTH ELEVATION**
1/8" = 1'-0"



PAUL R. LESSARD
• REGISTERED ARCHITECT •
13 STATION ROAD SALEM, MA 01970
(978) 210-1960 paul@paularchitect.com

TABLE TALK BUILDING
153 GREEN STREET
WORCESTER, MASSACHUSETTS
PROPOSED WEST & NORTH EXTERIOR ELEVATIONS

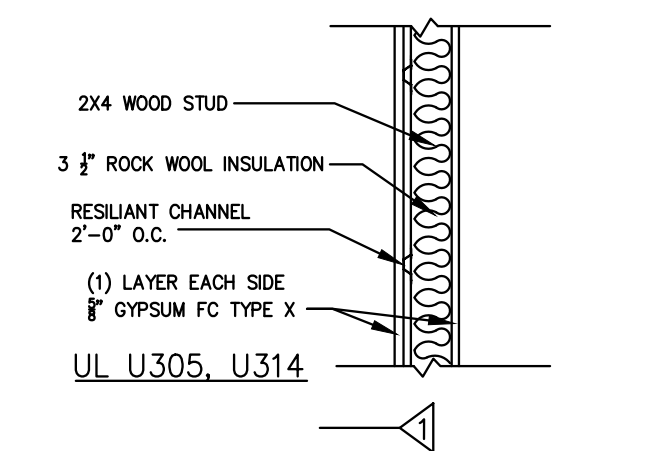
REVISIONS:

PROJECT NUMBER:
DATE: 3/28/24
SCALE: AS NOTED
DRAWN: PRL
CHECK:

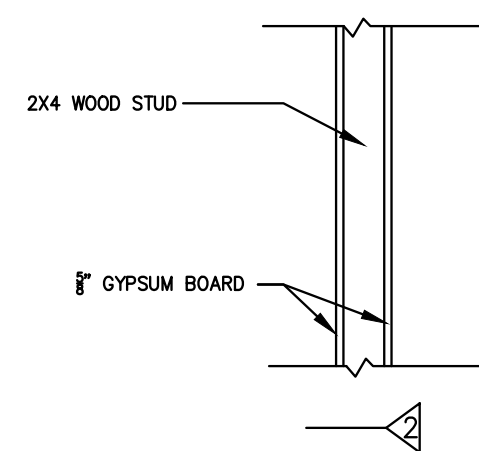
DRAWING NUMBER:

A10

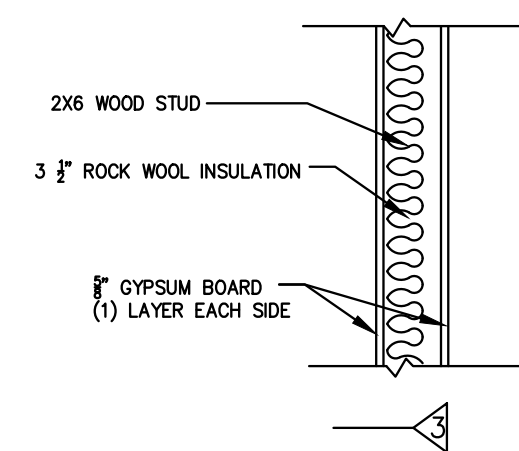
WALLTYPE SCHEDULE



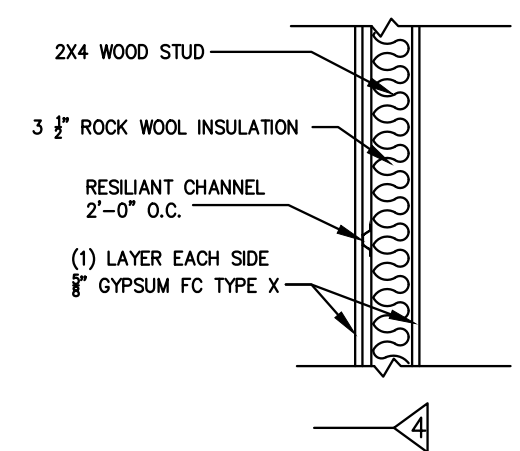
1 HOUR FIRE RATED (30 MIN. REQUIRED)
CORRIDOR & UNIT PARTY PARTITIONS
STC 50



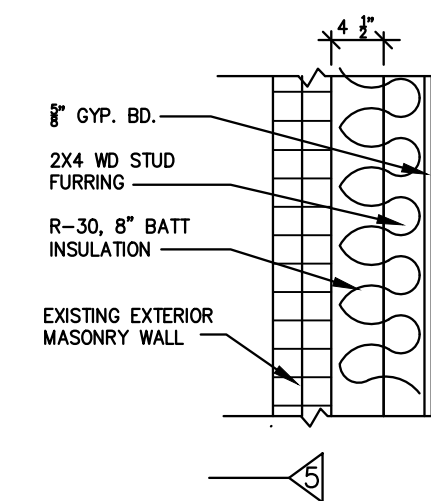
NON-FIRE RATED
INTERIOR UNIT PARTITIONS



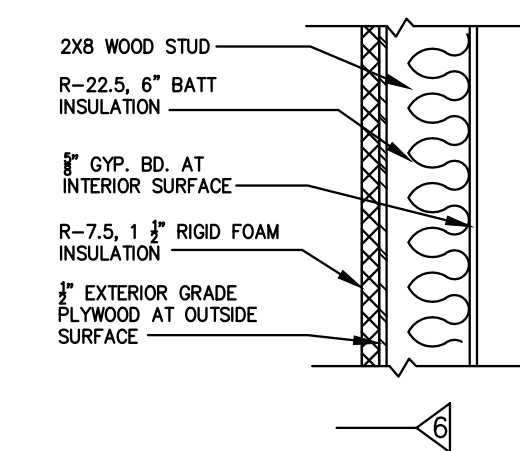
INTERIOR UNIT CHASE PARTITIONS
AT KITCHENS & BATHROOMS



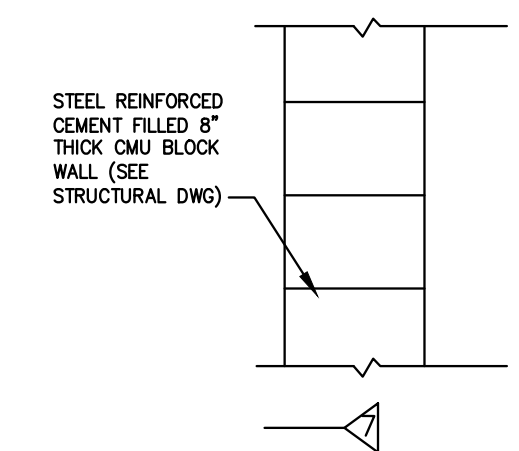
1 HOUR FIRE RATED AT
STAIR HALLS 50 STC
UL U301



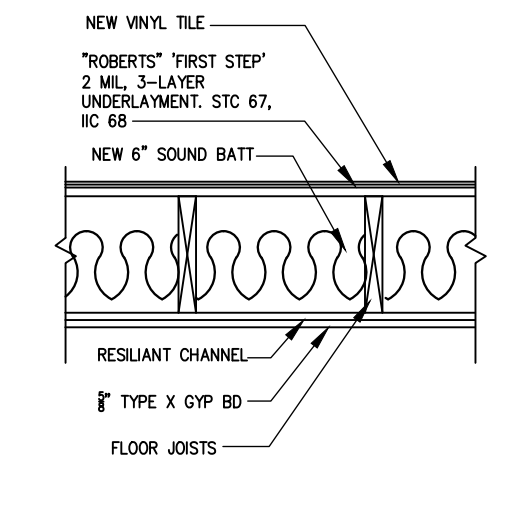
EXISTING EXTERIOR WALL



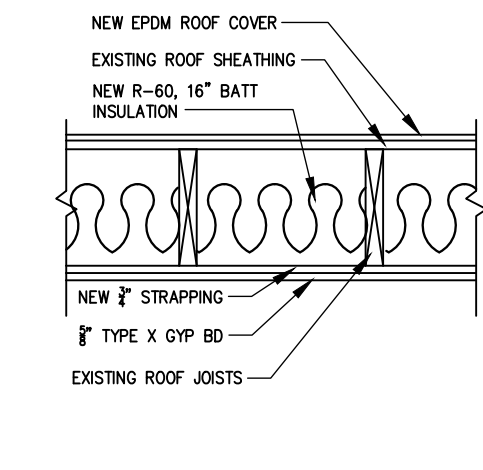
NEW EXTERIOR WALL
TOTAL R-VALUE EXCEEDS
REQUIRED R-30



2 HOUR FIRE RATED
NEW CMU ELEVATOR
ENCLOSURES

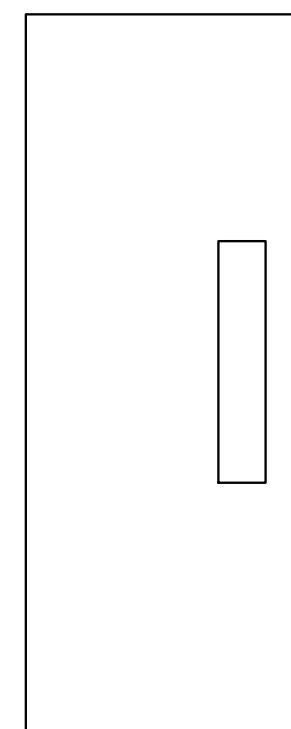


TYPICAL STC 67 FLOOR ASSEMBLY
30 MINUTE FIRE RATED MINIMUM.



TYPICAL ROOF ASSEMBLY

DOOR & HARDWARE SCHEDULE



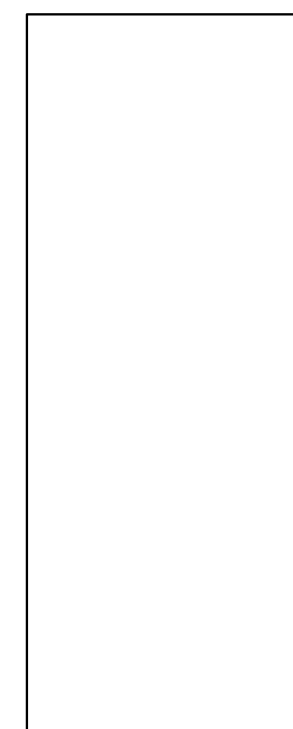
1 HOUR FIRE RATED
DOOR 36"X96" METAL

"SCHLAGE" S10D-JUP



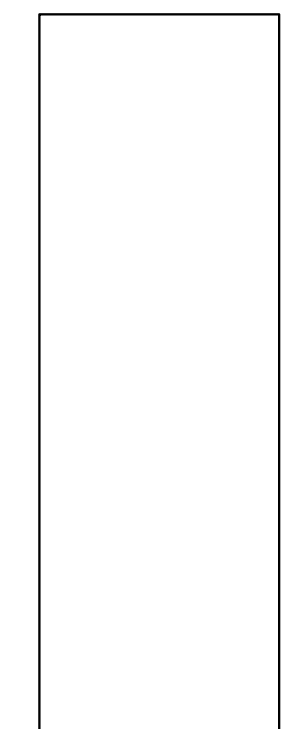
20 MINUTE FIRE RATED DOOR
WITH SMOKE & DRAFT
CONTROL PER UL 1784
36"X96" WOOD

"SCHLAGE" S210PD-JUP
S200 SERIES COMMERCIAL TUBULAR
INTERCONNECTED SINGLE LOCKING
ENTRANCE LEVER SET & DEADBOLT



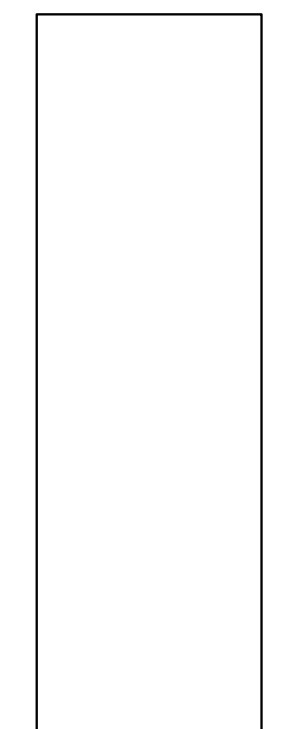
36"X96" WD

"SCHLAGE" S40D-JUP



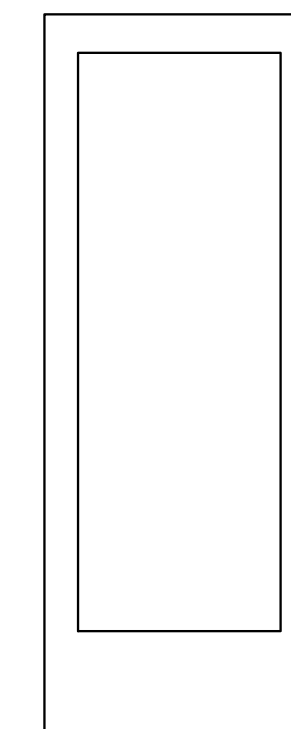
36"X96" WD

"SCHLAGE" S40D-JUP



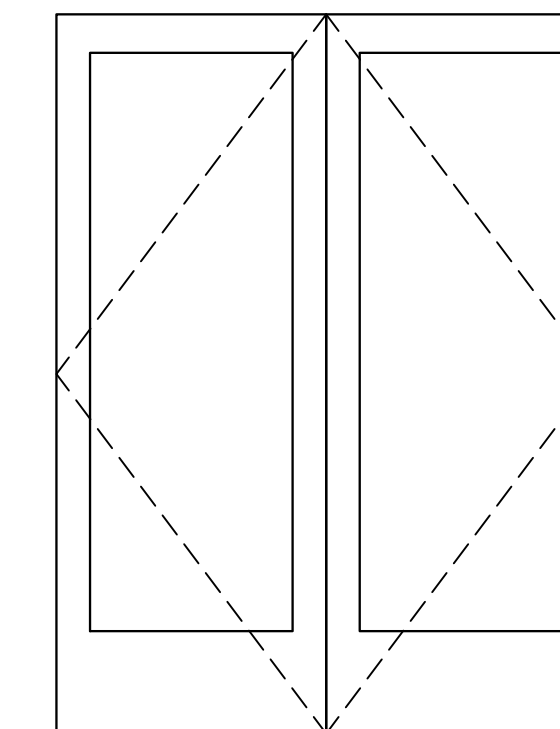
CLOSET DOORS
VARIES 96" WD

"SCHLAGE" S10D-JUP



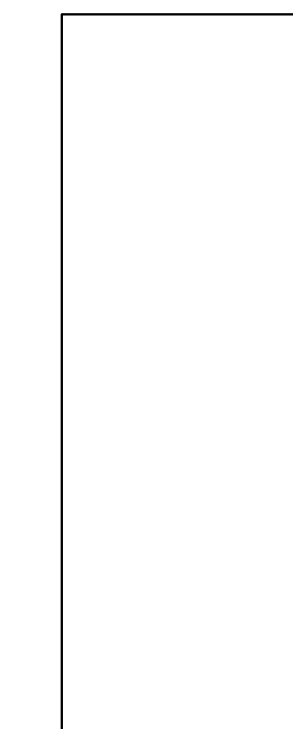
ALUMINUM FRAME WITH
SAFETY GLASS ENTRY DOOR
36"X96" METAL

"SCHLAGE" PANIC BAR AT
INTERIOR & PULL HANDLE
EXTERIOR. ACCESSIBLE
AUTOMATIC DOOR OPENER
INTERIOR & EXTERIOR



ALUMINUM FRAME WITH
SAFETY GLASS ENTRY DOOR
(2) 36"X96" METAL

"SCHLAGE" PANIC BAR AT
INTERIOR & PULL HANDLE
EXTERIOR. ACCESSIBLE
AUTOMATIC DOOR OPENER
INTERIOR & EXTERIOR



INSULATED METAL DOOR
36"X96"

"SCHLAGE" PANIC BAR AT
INTERIOR & PULL HANDLE
EXTERIOR. ACCESSIBLE
AUTOMATIC DOOR OPENER
AT INTERIOR

A STAIR ENCLOSURES

B UNIT ENTRY DOOR

C BATHRM DOORS

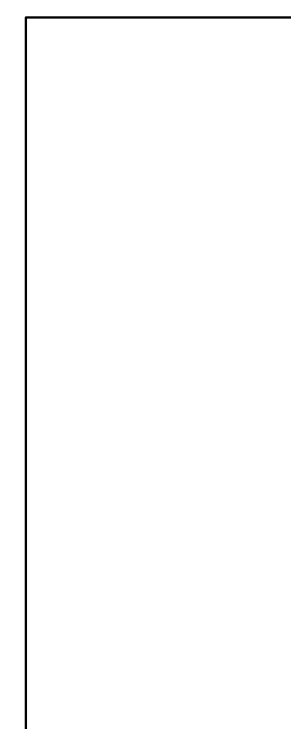
D BEDRM DOORS

E CLOSET DOORS

F SINGLE ENTRY DOOR

G DOUBLE ENTRY DOOR

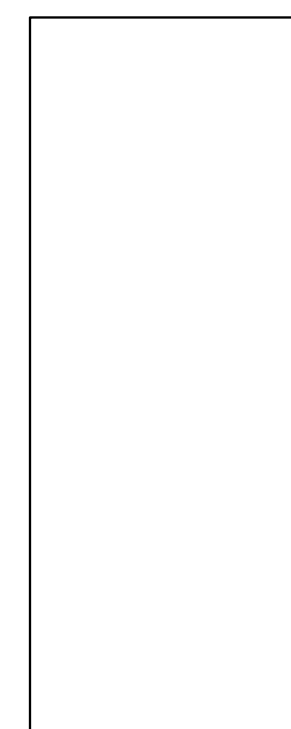
H EXTERIOR EGRESS DOORS



METAL DOOR 36"X96"

"SCHLAGE" DUMMY HANDLE
BOTH SIDES. OPENABLE WITH
ELECTRONIC CODE LOCK FROM
OUTSIDE. OPENABLE FROM
INSIDE AUTOMATIC DOOR
OPENER.

I EXTERIOR EGRESS DOORS



30"X96" WD

"SCHLAGE" S40D-JUP

J BATHRM DOORS

PAUL R. LESSARD
• REGISTERED ARCHITECT •
13 STATION ROAD SALEM, MA 01970
(978) 210-1960 paul@paulrarchitect.com

TABLE TALK BUILDING
153 GREEN STREET
WORCESTER, MASSACHUSETTS
DOOR & HARDWARE SCHEDULE & WALLTYPE SCHEDULE

REVISIONS:

| | |
|--|--|
| | |
| | |
| | |
| | |
| | |

PROJECT NUMBER:
DATE: 3/28/24
SCALE: AS NOTED
DRAWN: PRL
CHECK:

DRAWING NUMBER:

A11

